

*General Filtration By-pass Feeders are designed to provide you with a rugged and dependable means of introducing chemicals into closed loop liquid systems. They are commonly seen used in hot and chilled water systems. Available in two sizes, this unit is compatible and interchangeable with many competitive units on the market. General Filtration By-Pass Feeders offer threaded, quick opening high pressure closures.*

**Features and Benefits:**

- Carbon steel construction
- Available in 2 gallon and 5 gallon capacities
  - 2 gallon constructed of 5 mm pipe: seamless body design
  - 5 gallon constructed of 6mm rolled plate
- Blue epoxy finish
- Caps – constructed of cast steel with epoxy coated platen with Buna o-ring
- 300 psi @ 200° F – allows for broad range of installation parameters
- “Wide-mouth” 3 ½” threaded closure high pressure cap for safety and ease of access
- Connections: 4 @ ¾” ports (2 upper, 2 lower)
- Domed bottom

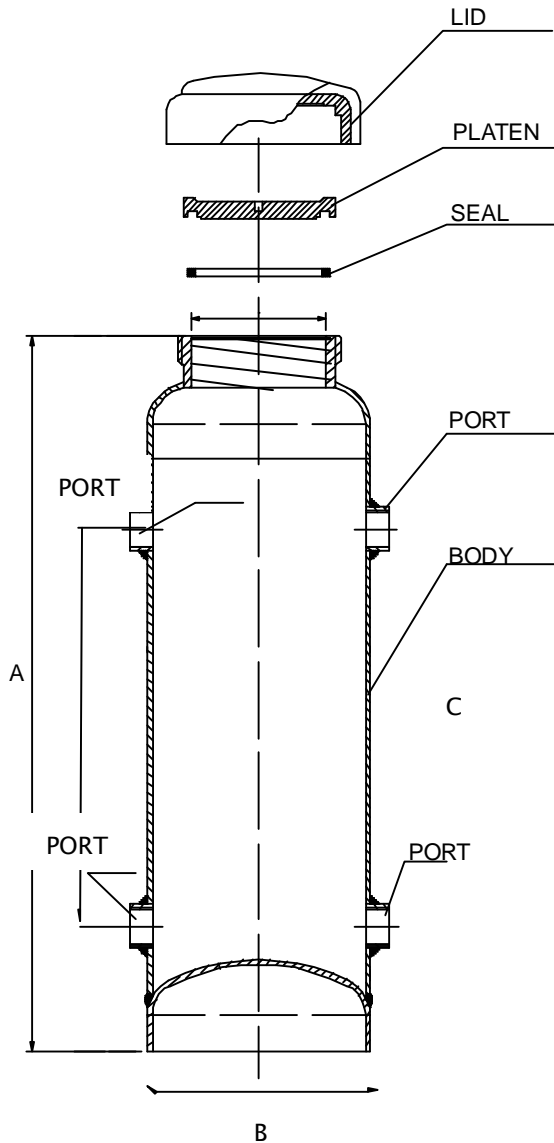


PART ORDERING INFORMATION			
PF	-2	X4	HP
<b>General Filtration By-Pass Pot Feeder</b>	<b>Gallon Capacity</b> -2 = 2 US Gallon -5 = 5 US Gallon	<b>Number of ports</b> X4 = 4 @ ¾” ports	<b>High Pressure</b> 300 psi



Please note: drawing is for general reference only and should not be used for sizing or piping layout.

Model	Approx. Capacity	A	B	C	Ship Weight
PF2X4HP	2 US Gallon	20" (508 mm)	6.26" (159 mm)	12 ¾" (323.9 mm)	27.5 lb
PF5X4HP	5 US Gallon	19 ¾" (501.5 mm)	9.84" (250 mm)	10 ½" (266.7 mm)	42.0 lb



**HIGH PRESSURE CAP:** coarse thread, 2 1/2 turn design, rated up to 300 psi