

General Filtration's GFO filter housings are constructed of durable carbon steel and accept either 10" or 20" double open end cartridges. Suitable for a wide variety of non-aggressive applications, you will find them doing their job quietly and efficiently in installations from the common to the unusual. Call us to discuss your specific needs.

Operating Data GFO10 & GFO20	
Max Ops Pressure and Temperature	175 psi @ 200° F (12.1 bar @ 93° C)
Materials of Construction:	
Head and body	Carbon steel
Centre post	Carbon steel
Head gasket	Buna-N
Cap nut gasket	PTFE
Connections	
Inlet/Outlet	¾" NPTF
Drain	¼" NPTF
Cartridge suitability	Standard DOE 2 ½" - 2 ¾" diameter
Weight Empty	8.8 lbs (4 kg)

- Operating pressure of 175 psig allows it to be used in a broad range of applications
- In-line NPT connections with clearly marked flow directions for ease of installation
- Centre post design for quick cartridge change-out: less downtime means lower maintenance costs
- Economical and durable



Ordering information:

Example: GFO10-3/4"

MODEL	LENGTH	CONNECTION TYPE	CONNECTION SIZE
GFO	10 = for 10" cartridge	NPTF	3/4"
	20 = for 20" cartridge		

Recommended Spares:

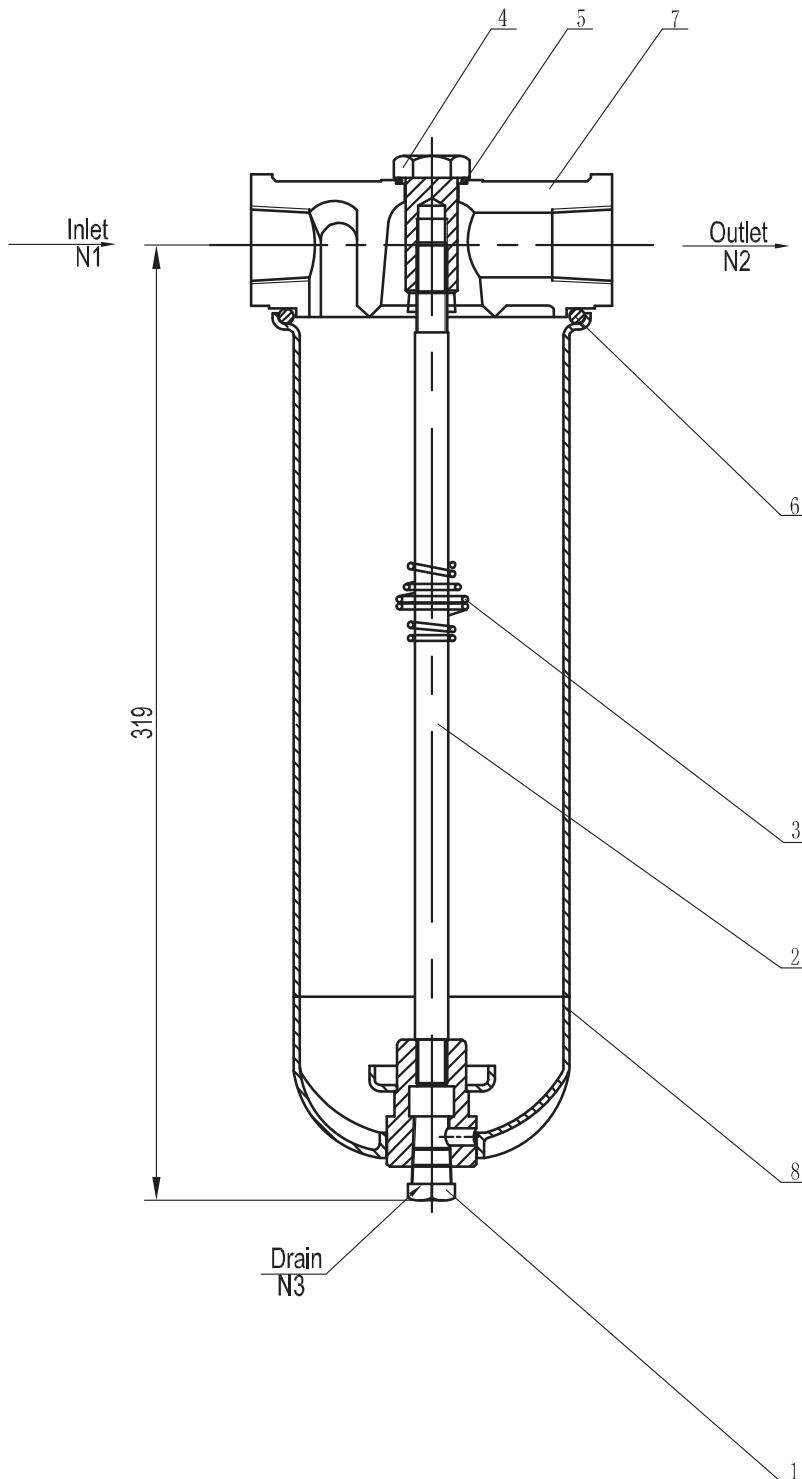
Shell O-ring:

Cover Nut O-ring:

For replacement cartridges:

Standard diameter (2 1/2" or 2 3/4")
 double open end, full 10" length
 for GFO10 and either 2 @ 10" or
 1 @ full 20" for GFO20 housings

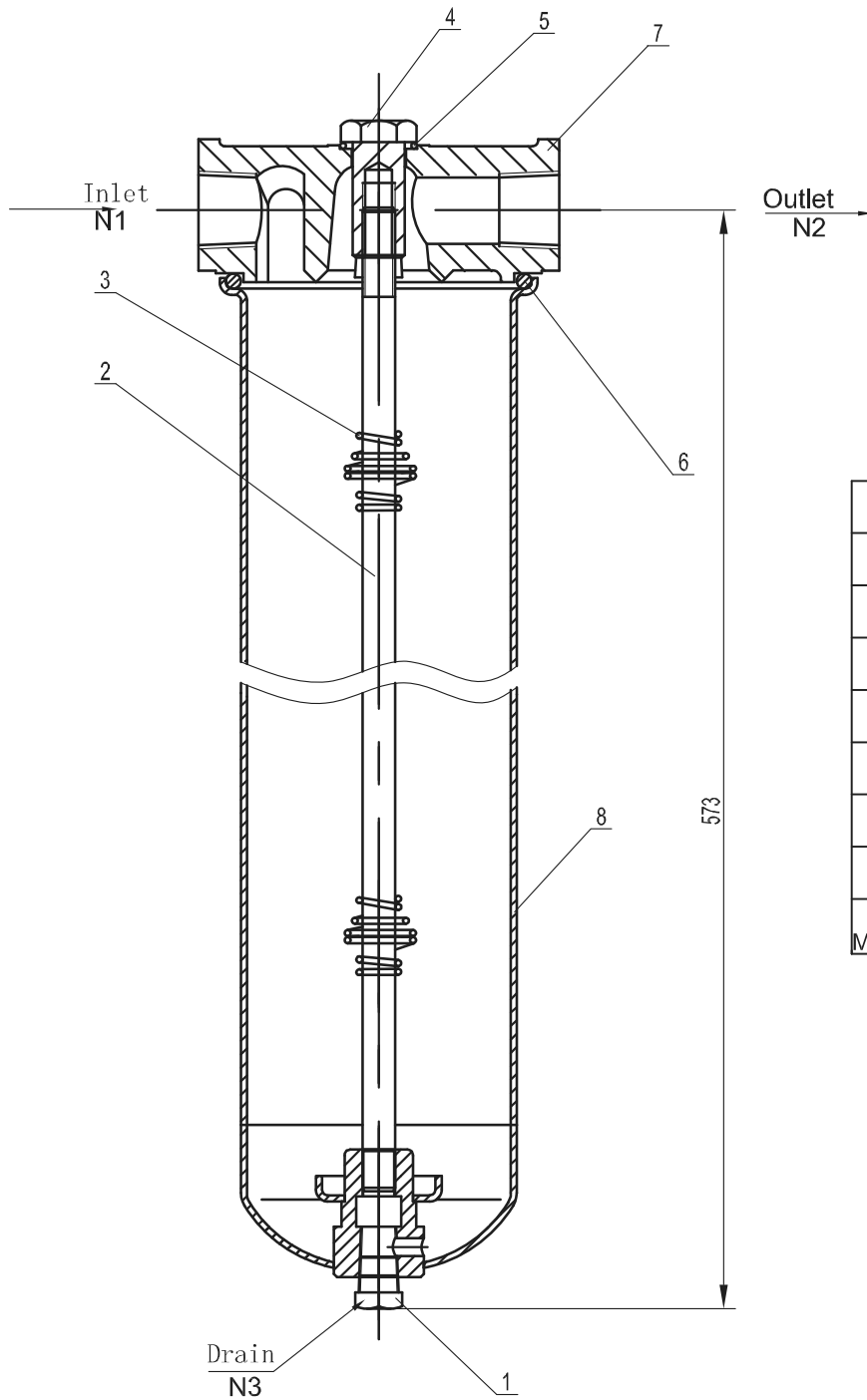
GFO10-3/4"



Mark	Size	Service
N-1	3/4"	Inlet
N-2	3/4"	Outlet
N-3	1/4"	Drain

8	20000-033	Shell Assembly	1	carbon steel
7	20004-032	Head	1	cast steel
6	10520-030	O-Ring	1	Buna
5	10505-031	Cover nut O-Ring	1	PTFE
4	10543-032	Cover Nut	1	carbon steel
3	10565-030	Spring	1	Spring steel
2	10546-033	Center Bolt	1	carbon steel
1	10549-031	Drain plug	1	carbon steel
Mark	Figure No.	Service	Amount	Materials

GFO20-3/4"



Mark	Size	Service
N-1	$\frac{3}{4}$ "	Inlet
N-2	$\frac{3}{4}$ "	Outlet
N-3	$\frac{1}{4}$ "	Drain

8	20000-034	Shell Assembly	1	carbon steel
7	20004-032	Head	1	cast steel
6	10520-030	O-Ring	1	Buna
5	10505-031	Cover Nut O-Ring	1	Teflon
4	10543-032	Cover Nut	1	carbon steel
3	10565-030	Spring	2	Spring steel
2	10546-034	Center Bolt	1	carbon steel
1	10549-031	Drain plug	1	carbon steel
Mark	Figure No.	Service	Amount	Materials