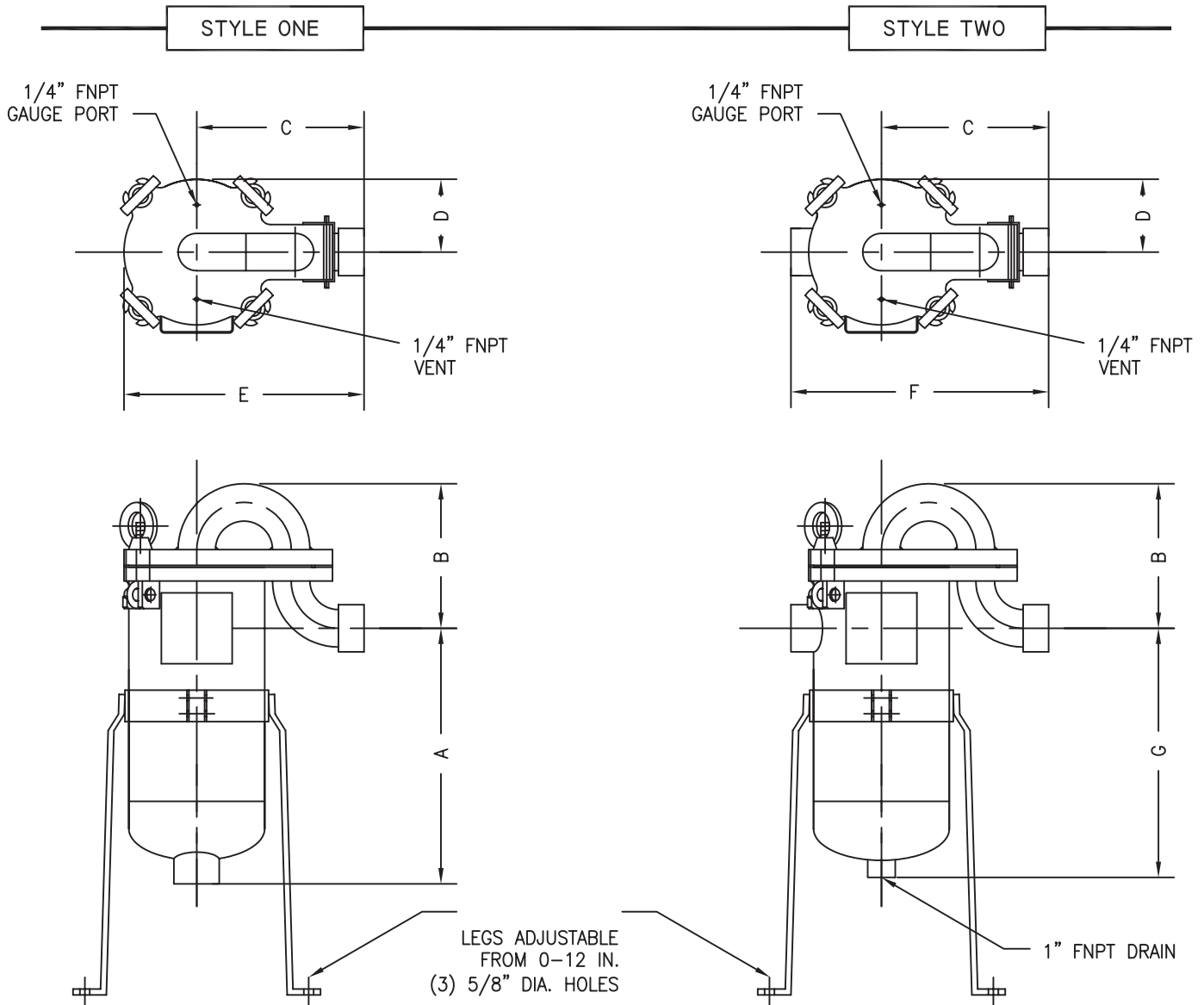


GF90



	FITTING SIZE	A	B	C	D	E	F	G
STD.	2" FNPT	16 1/4"	9"	10 1/4"	4 5/8"		17 1/2"	16 1/4"
	2 1/2" FNPT	15 3/4"	11"	12 3/8"	4 5/8"	17"	18 5/8"	16 1/2"
	3" FNPT	16"	12 3/4"	14"	4 5/8"	18 11/16"	20 1/4"	16"

SHIPPING WEIGHT	95 lbs
VOLUME	4 1/4 US. gal.
DESIGN PRESSURE	150 psig. @ 225 F